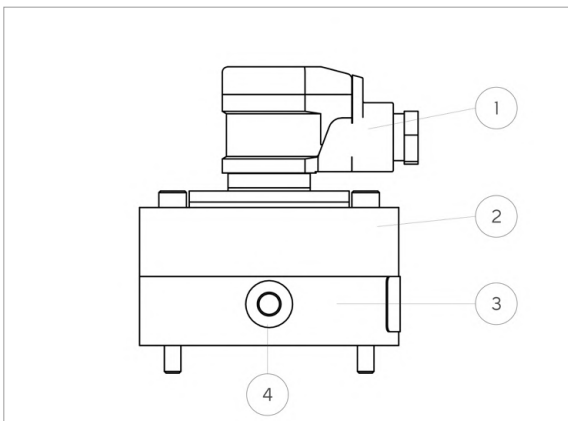




Instrumentation & Control / Volume Flow Sensor

GEARWHEEL VOLUME FLOW METER



USAGE

When processing media, the Gearwheel Volume Flow Meter measures the flowing quantity during a dosing process. The measuring principle is the volumetric gearwheel displacement system. This measuring works with a precisely integrated pair of gearwheels and is renowned for its high precision and pressure resistance. The rotation of the gearwheels is detected by a sensor and provided in digital format at the device interface.

CONSTRUCTION

- 1 Device socket
- 2 Cover
- 3 Housing
- 4 Flow opening

HIGHLIGHTS

- Little flow resistance
- highly dynamic measurements possible
- high resistance to pressure
- little sound emission
- very precise measuring with excellent reproducibility
- high precision also for small flow quantities in a lower measuring range#

YOUR BENEFITS

- Quantitative Process controls of almost all dosing processes, thus increasing process capability and OEE
- possibility for setting up volume-controlled application systems



GEARWHEEL VOLUME FLOW METER

ORDER CODE

(* STANDARD OPTIONS)

WGFM	-		-		-		-		-		-		-		-		-		-	
1		2		3		4		5		6		7		8		9		10		11

1	Designation	3	Sealing	4	Model
	Gearwheel Volume Flow Meter	F	FKM*	4	Speroidal graphite iron, carbide bearing, increased play
		E	EPDM	5	Stainless steel, carbide bearing, increased play*
2	Nominal size (VgZ = cm³) geometric tooth volume				
000025	0,025 [ccm]**				
000100	0,100 [ccm]				

STANDARD VARIANTS

Item number	Order Code
50007144	WGFM-000025-F-5

ACCESSORIES

Item number	Order Code	Designation
5000xxxx		Connecting plug with evaluating electronics

TECHNICAL DATA

Operating pressure	max. 400 [bar]
Dimensions	Ø 94 x 101 [mm]
Weight	3,0 [kg]
Temperature range	-30 to 120 [°C]
Connection (model 5)	G1/8"i
Supply voltage	24 [VDC]
Signal outlet	PNP (NPN upon request)
Number of measuring channels	2 [each]