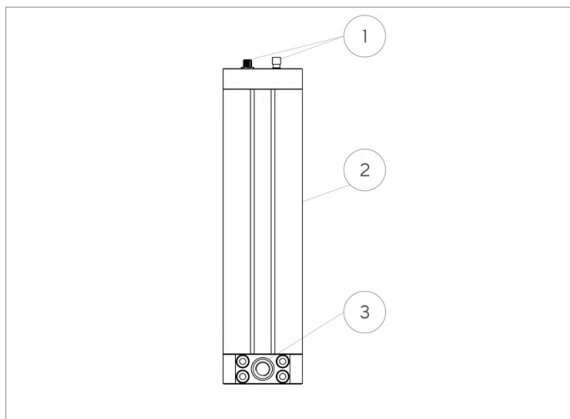




Transfer & Treatment / Storage

MEDIUM STORAGE



USAGE

The Medium Storage is used for an interim storage of the medium and medium discharge. For this purpose, a cylinder with a floating piston is used where we apply compressed air to one side. An integrated position sensor will constantly provide the filling level information.

CONSTRUCTION

- 1 Electric connections
- 2 Medium storage
- 3 Medium inlet

HIGHLIGHTS

- Integrated filling level sensor for a continuous measuring of storage contents with an analog electric interface
- safety equipment to prevent overpressure in the medium storage
- constructional protection against an overflow of compressed air into the medium-carrying area of the medium storage
- device from WALTHER MODULAR series, therefore smaller installation area, easy mounting and simplified maintenance

YOUR BENEFITS

- Bridging of standstills in medium supply, e.g. during a replacement of containers or refills



Transfer & Treatment / Storage

MEDIUM STORAGE

TECHNICAL DATA

Operating pressure	max. 10 [bar]
Filling volume	max. 2000 [ccm]
Dimensions l x w x h	153 x 115 x 457 [mm]
Weight	5,8 [kg]
Walther-Module length	3 [TE]
Connection	G1/2"i and flange Walther-Modular