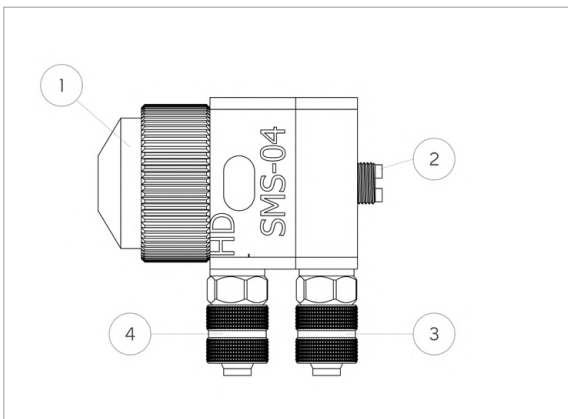




Processing & Application / Spraying / Valve

SMS-04 – SPRAY VALVE SERIES 04



USAGE

The Spray Valves of series 04 come with very little weight and a compact design, and are thus ideally suitable for all spray applications with limited working space, or where the moved mass has to be reduced to a minimum. The Spray Valves can be used for intermitting as well as continuing application of different media (e.g. oils, separating agents, paint, greases etc.). An external pneumatic 3/2-way valve is used for controlling (one for control air and one for atomizer air).

CONSTRUCTION

- 1 Nozzle with air cap and retaining ring
- 2 Regulating screw sprayed quantity
- 3 Air connections
- 4 Material connections

HIGHLIGHTS

- Regulation of valve needle stroke allows an easy setting of the medium quantity
- large selection of different valve nozzles and air caps (flat and round) for an individual adaptation of the spraying image
- optional sensor available for monitoring the valve needle stroke
- for complex spraying tasks, we offer a variety of adapted nozzle extensions optionally
- optional heating plate available for tempering the valve body

YOUR BENEFITS

- Valve for automated application of viscous media
- compact design, excellent integration into any production system
- low weight, ideal for high traversing speeds
- fast, repeatable mounting through integrated centering hollows



SMS-04 – SPRAY VALVE SERIES 04

ORDER CODE

(* STANDARD OPTIONS)

SMS-04	-		-		-		-		-		-		-		-		-		-	
1		2		3		4		5		6		7		8		9		10		11

1	Designation	6	Special design	8	Nozzle type
	Spray Valve Series 04	00	without special version*	NON	no nozzle
		01	6-kt retaining ring	KLS03	KLS 0,3 [mm]
2	Sealing Type	02	nozzle + needle hardened	KLS05	KLS 0,5 [mm]*
F	FKM*	03	PEEK-version	KLS08	KLS 0,8 [mm]*
E	EPDM			KLS10	KLS 1,0 [mm]
I	ISOLAST	7	Air cap	KLS15	KLS 1,5 [mm]
		N00	no air cap / with DVL*	KLS20	KLS 2,0 [mm]
3	Needle stroke adjustment	S10	air cap marking nozzle (8-10°)	STA01	standard nozzle 0,1 [mm]
R	with sensor	R15	ring-jet 15°*	STA03	standard nozzle 0,3 [mm]
N	without sensor*	F45	flat-jet 45°	STA05	standard nozzle 0,5 [mm]
		F60	flat-jet 60°	STA08	standard nozzle 0,8 [mm]
4	Position connections	F90	flat-jet 90°	STA10	standard nozzle 1,0 [mm]
S	sideward (90° to spraying axis)			STA15	standard nozzle 1,5 [mm]
R	rearward (180° to spraying axis)			STA03	standard nozzle 2,0 [mm]
				STA25	standard nozzle 2,5 [mm]
5	Pressure sensor			SIG01	marking nozzle 0,1 [mm]
N00	not installed*			SIG03	marking nozzle 0,3 [mm]
				SIG05	marking nozzle 0,5 [mm]
				DVL-	nozzle extension...*

STANDARD VARIANTS

Item number	Order Code	Item number	Order Code
50010650	SMS-04-F-N-N-N00-00-R15-KLS03	50010636	SMS-04-F-N-N-N00-00-R15-STA10
50010651	SMS-04-F-N-N-N00-00-R15-KLS05	5000xxxx	SMS-04-F-N-N-N00-00-N00-DVLxx-...

SPARE PARTS

Item number	Order Code	Designation
5000xxxx	DSV-xx-xx-xx	Nozzle Spray Valve
5000xxxx	VNS-xx-xx-xx-xxxx	Valve needle Spray Valve
5000xxxx	LKS-xx-xx-xx-xxxx	Air cap Spray Valve
50007630		Retaining ring hexagonal
50007629		Retaining ring round
50010671		Material wearing parts kit for SMS-04, ISOLAST
50010670		Material wearing parts kit for SMS-04, VITON



Processing & Application / Spraying / Valve

SMS-04 – SPRAY VALVE SERIES 04

ACCESSORIES

Item number	Order Code	Designation
5000xxxx	DVLSxx-xx-xxx-xxxx-xx-xxxx-xxx-x	Nozzle extension
50007714	HZP-90-25W-04	Heating plate
50007822	HZP-ISO-04	Insulating plate
50007618		Centering sleeve (2x)
50008400	WLG-40-470-SOFT-500	WALTHER LOGIC Limit Value Module incl. software
50008752	WLVC-30-320-SOFT-323	WALTHER LOGIC Valve Control incl. software
50008746	WLVC-10-101-SOFT-101	WALTHER LOGIC Valve Control MINI incl. software
50007662	RKS-01	Cleaning kit for valves
50007773	WZS-03	Tool set for valve maintenance
5000xxxx	WST- ...	Connecting screw joint matching the valve

TECHNICAL DATA

Process pressure	max.30 [bar]
Control air pressure	3 to 6 [bar]
Atomizer air pressure	0,5 to 6 [bar]
Process connection (medium)	G1/4" incl. hose screw joint 6/4
Process connection (air)	hose screw joint 6/4
Dimensions l x w x h	39 (42) x 25 x 25 [mm]
Weight	0,14 [kg]
Nozzle & needle	optionally hardened (kolsterised)