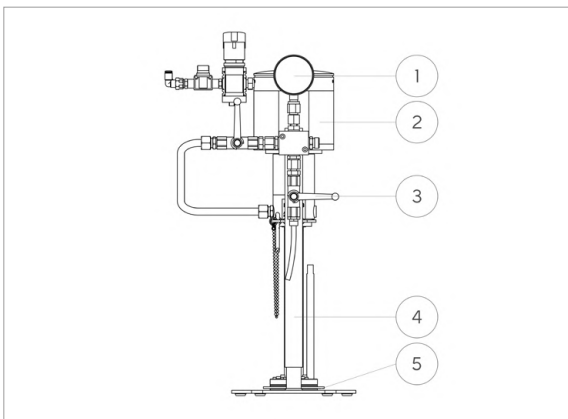




Supplying & Feeding / Small-Scale Supply Units

SMALL-SCALE SUPPLY UNIT



HIGHLIGHTS

- Compact design
- supplies directly from original container
- long lifetime
- replaceable follower plate
- add-on set optionally available for empty signal

USAGE

Small-scale supply systems are cost-effective supply systems for supplying medium- and highly-viscous media directly from small containers. The supply system can be easily connected to dosing valves, spray valves and pulse valves via a high-pressure hose. We offer adapted follower plates for the different containers with their individual sizes.

CONSTRUCTION

- 1 Pressure gauge
- 2 Supply pump
- 3 Venting unit
- 4 Foot
- 5 Follower plate

YOUR BENEFITS

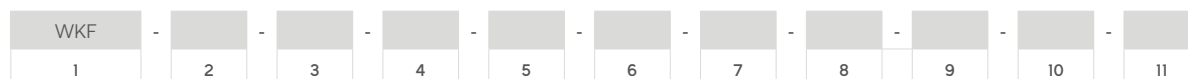
- Cost-efficient supply system for various applications



SMALL-SCALE SUPPLY UNIT

ORDER CODE

(* STANDARD OPTIONS)



1	Designation	3	Follower plate	4	Index
	Small-Scale Supply System	FP201	Follower plate (D=103 [mm])	01	Index 01
		FP202	Follower plate (D=200 [mm])		
		FP203	Follower plate (D=245 [mm])		
		FP204	Follower plate (D=175 [mm])		
2	Ratio				
25	25:1				

STANDARD VARIANTS

Item number	Order Code	Item number	Order Code
50010065	WKF-25-FP201-01	50010066	WKF-25-FP202-01

SPARE PARTS

Item number	Order Code	Designation
50008307		Frame Small-scale supply unit
50010070		Removal tool
50008300		Suction system
50000798		Air motor
50008366	FP201	Follower plate (D=103 [mm])
50008367	FP202	Follower plate (D=200 [mm])
50010813		Sealing set Air motor
50010814		Sealing set Suction system

ACCESSORIES

Item number	Order Code	Designation
50008378		Barrel hood 1 kg container
50008730		Barrel hood 5 kg container
50008377		Electric empty signal



Supplying & Feeding / Small-Scale Supply Units

SMALL-SCALE SUPPLY UNIT

TECHNICAL DATA

Ratio	25:1	
pneumatic operating pressure	0 to 6 [bar]	
Process pressure	max. 150 [bar]	
Supply capacity	max. 1500 [cm ³ /min]	
Process connection	G1/4" Container height	max. 285 [mm]
Container inside diameter	90 – 200 [mm]	