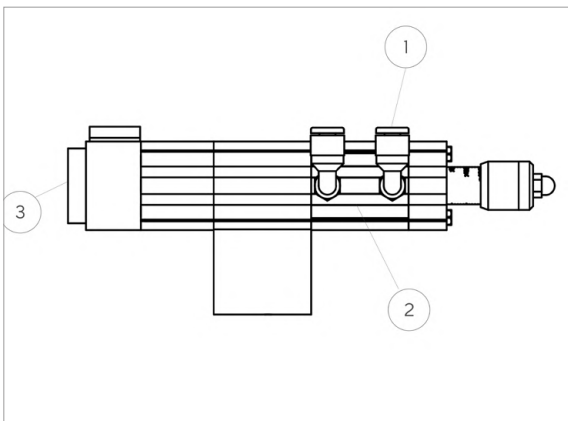




Processing & Application / Dosing / Valve

WDV – VOLUME DOSING VALVE



USAGE

The volumetric Dosing Valves of the WDV series were designed for a precise application of defined (minimum) quantities of viscous media. The dosing quantity in a volumetric Dosing Valve can be continuously adjusted with a regulating screw within the valid dosing range. An external 5/2-way valve is used for the pneumatic controlling of the Dosing Valve.

CONSTRUCTION

- 1 Pneumatic connection $\text{Ø}4/2$
- 2 C-groove $\text{Ø}4$ for magnetfield sensor and fastening slot stones
- 3 Sensor connection G1/8"

HIGHLIGHTS

- High inlet pressures up to 200 [bar] make a preconnected Material Pressure Regulator redundant
- optional sensor available for monitoring valve needle stroke
- optional heating plate available for tempering the valve body (only WDV-200 / -600)
- highest process safety also for the smallest dosing volumes#

YOUR BENEFITS

- Locking the regulating screw with the special key prevents an unintended resetting of the defined dosing quantity
- possibility for a process control in connection with a WALTHER LOGIC Limit Value Module
- Valve for automated application of viscous media



WDV – VOLUME DOSING VALVE

ORDER CODE

(* STANDARD OPTIONS)

WDV	-		-		-		-		-		-	
1		2		3		4		5		6		7

1	Designation	2	Dosing Range	3	Allowed inlet pressure
	Dosing Valve	002	0,001 to 0,020 [ccm] (HD)	ND	5 to 20 [bar]
		002	0,003 to 0,020 [ccm] (ND)	HD	20 to 200 [bar]
		020	0,010 to 0,200 [ccm] (HD/ND)		
		200	0,100 to 2,000 [ccm] (HD)		
		600	1,000 to 6,000 [ccm] (HD)		

STANDARD VARIANTS

Item number	Order Code	Item number	Order Code
50007970	WDV-002-HD	50008005	WDV-020-ND
50008004	WDV-002-ND	50007972	WDV-200-HD
50007981	WDV-020-HD	50007982	WDV-600-HD

SPARE PARTS

Item number	Order Code	Designation
50008008		Wearing parts kit WDV-002-ND / WDV-020-HD
50008169		Wearing parts kit WDV-200-HD / WDV-600-HD

ACCESSORIES

Item number	Order Code	Designation
50007909	WDV-DS	Dosing piston sensor single
50007721	HZP-90-25W-05	Heating plate WDV-03 / WDV-04
50004892	LLA-1/8	Luer-Lock adapter WDV-03 / WDV-04
50007907	LLA-M6	Luer-Lock adapter WDV-01 / WDV-02
5000xxxx	DS-xx-xxx-xx	Dosing tip DS
5000xxxx	DE-xx-xxx-xx	Dosing tip DE
50008758	PS1-010-G18-A	Pressure sensor-10 [bar]
50008756	PS1-050-G18-A	Pressure sensor-50 [bar]
50007905	WZS-01	Tool set
50008400	WLG-40-470-SOFT-500	WALTHER LOGIC Limit Value Module incl. software
50008752	WLVC-30-320-SOFT-323	WALTHER LOGIC Valve Control incl. software
50008746	WLVCMI-10-101-SOFT-101	WALTHER LOGIC Valve Control MINI incl. software
50007662	RKS-01	Cleaning kit for valves
50007905	WZS-01	Tool set for valve maintenance



Processing & Application / Dosing / Valve

WDV – VOLUME DOSING VALVE

TECHNICAL DATA

Allowed medium inlet pressure (HD-version)	20 to 200 [bar]
allowed medium inlet pressure (ND-version)	5 to 20 [bar]
allowed pneumatic inlet pressure	5,0 to 8,0 [bar]
Dimensions l x w x h (version „002“)	135 x 23 x 51 [mm]
Dimensions l x w x h (version „020“)	135 x 23 x 51 [mm]
Dimensions l x w x h (version „200“)	246 x 36 x 77 [mm]
Dimensions l x w x h (version „600“)	246 x 36 x 77 [mm]
Weight (version „002“)	0,180 [kg]
Weight (version „020“)	0,182 [kg]
Weight (version „200“)	0,868 [kg]
Weight (version „600“)	0,891 [kg]
Interface medium inlet (version „002“)	G1/8“i
Interface medium inlet (version „020“)	G1/8“i
Interface medium inlet (version „200“)	G1/4“i
Interface medium inlet (version „600“)	G1/4“i
Interface medium outlet (version „002“)	M6i
Interface medium outlet (version „020“)	M6i
Interface medium outlet (version „200“)	G1/8“i
Interface medium outlet (version „600“)	G1/8“i