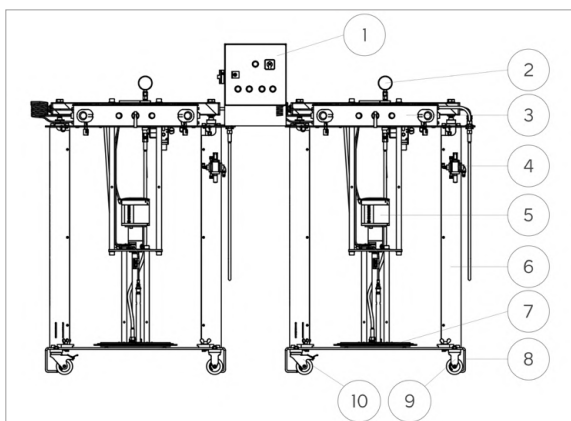




Supplying & Feeding / Pump Systems

WPS ADVANCED TANDEM



USAGE

For the Tandem version, two pump systems of the ADVANCED type have been fluid-wise combined. When one container is empty, the container in the second pump system will be automatically activated. This guarantees an uninterrupted discharge of medium and an operation without standstill. The two pump systems are coordinated through an electric control-unit which allows for a manual operation on-site as well as an operation through the superordinate control. For this purpose, there are several signals which can be exchanged via a digital interface.

CONSTRUCTION

- 1 Change-over control unit
- 2 Pressure gauge
- 3 Operating unit
- 4 Lock Valve
- 5 Supply pump
- 6 Housing
- 7 Follower plate
- 8 Frame
- 9 Wheels fix
- 10 Wheels 360° rotating



Supplying & Feeding / Pump Systems

WPS ADVANCED TANDEM

Item number	Order Code	Item number	Order Code
50006815	WPS-3-A-25-000-FP102-G-S-0-T-0	50006833	WPS-3-A-25-000-FP103-G-S-A-T-0
50006817	WPS-3-A-25-000-FP102-G-S-A-T-0	50006835	WPS-3-A-25-000-FP104-0-0-0-T-0
50006819	WPS-3-A-25-000-FP103-0-0-0-T-0	50006837	WPS-3-A-25-000-FP104-0-0-A-T-0
50006821	WPS-3-A-25-000-FP103-0-0-A-T-0	50006839	WPS-3-A-25-000-FP104-0-S-0-T-0
50006823	WPS-3-A-25-000-FP103-0-S-0-T-0	50006841	WPS-3-A-25-000-FP104-0-S-A-T-0
50006825	WPS-3-A-25-000-FP103-0-S-A-T-0	50006843	WPS-3-A-25-000-FP104-G-0-0-T-0
50006827	WPS-3-A-25-000-FP103-G-0-0-T-0	50006845	WPS-3-A-25-000-FP104-G-0-A-T-0
50006829	WPS-3-A-25-000-FP103-G-0-A-T-0	50006847	WPS-3-A-25-000-FP104-G-S-0-T-0
50006831	WPS-3-A-25-000-FP103-G-S-0-T-0	50006849	WPS-3-A-25-000-FP104-G-S-A-T-0

SPARE PARTS

Item number	Order Code	Designation
50000911	WZF-150-01	Filter cartridge 150 [µm]
50000912	WZF-300-01	Filter cartridge 300 [µm]
50000913	WZF-500-01	Filter cartridge 500 [µm]
50008300		Suction system
50000798		Air motor
50010813		Sealing set Air motor
50010814		Sealing set Suction system

ACCESSORIES

Item number	Order Code	Designation
50005192	FP100	Follower plate (D=300 [mm])
50005173	FP101	Follower plate (D=344 [mm])
50005164	FP102	Follower plate (D=405 [mm])
50005087	FP103	Follower plate (D=430 [mm])
50004998	FP104	Follower plate (D=586 [mm])
5000xxxx	WST-...	Barrel hood

TECHNICAL DATA

Process pressure	max 150 [bar]
Supplied volume	max. 1500 [cm ³ /min]
Container sizes	14 to 180 [l]
pneumatic inlet pressure	max.6 [bar]
Follower plate pressure	max. 6 [bar]
Weight (size 2)	xxx [kg]
Weight (size 3)	xxx [kg]
Dimensions l x w x h (size 2)	1800 x 700 x 1850 [mm]
Dimensions l x w x h (size 3)	2100 x 750 x 2000 [mm]