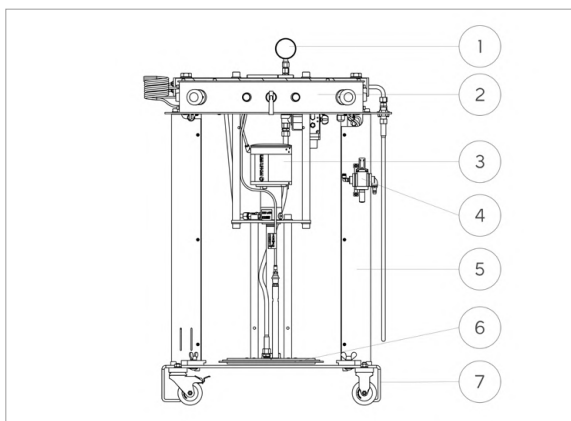
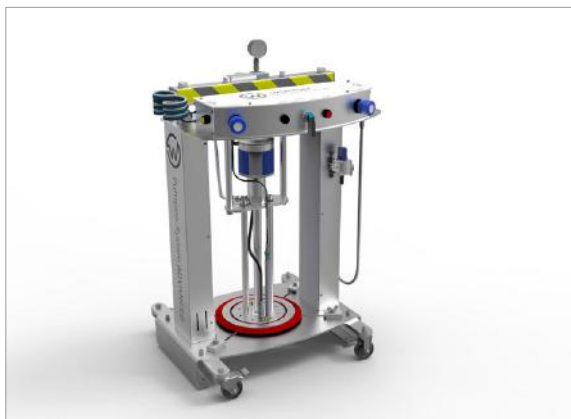




Supplying & Feeding / Pump Systems

WPS ADVANCED



USAGE

With the WPS Pump Systems, you can supply medium- to highly-viscous media directly from the manufacturer container. With the pump lifter, the replacement of containers is fast and does not need much effort. In the ADVANCED version, the pump system comes with a pneumatic control unit which can be remote-controlled via a digital E/A. This interface will also provide information on the filling level of the containers and the operating status.

CONSTRUCTION

- 1 Pressure gauge
- 2 Operating unit
- 3 Supply pump
- 4 Lock Valve
- 5 Frame
- 6 Follower plate
- 7 Foot

HIGHLIGHTS

- Automatic, loss-free pressure relief of pump and fluid system after turn-off of Pump System
- as a standard, integrated filter system
- Pump system turns off automatically after complete emptying of container
- almost empty containers due to adapted follower plates
- Two-hand control for a safe lowering of the pump lifter
- follower plate pressure can be steplessly adjusted
- expandible by various options

YOUR BENEFITS

- Cost-efficient pump system for professional use in automated plants and systems
- automated pressure relief below the follower plate does not result in loss of medium



Supplying & Feeding / Pump Systems

WPS ADVANCED

Item number	Order Code	Item number	Order Code
50006834	WPS-3-A-25-000-FP104-0-0-0-0-0	50006842	WPS-3-A-25-000-FP104-G-0-0-0-0-0
50006836	WPS-3-A-25-000-FP104-0-0-A-0-0	50006844	WPS-3-A-25-000-FP104-G-0-0-A-0-0
50006838	WPS-3-A-25-000-FP104-0-S-0-0-0	50006846	WPS-3-A-25-000-FP104-G-S-0-0-0
50006840	WPS-3-A-25-000-FP104-0-S-A-0-0	50006848	WPS-3-A-25-000-FP104-G-S-A-0-0

SPARE PARTS

Item number	Order Code	Designation
50000911	WZF-150-01	Filter cartridge 150 [µm]
50000912	WZF-300-01	Filter cartridge 300 [µm]
50000913	WZF-500-01	Filter cartridge 500 [µm]
50008300		Suction system
50000798		Air motor
50010813		Sealing set Air motor
50010814		Sealing set Suction system

ACCESSORIES

Item number	Order Code	Designation
50005192	FP100	Follower plate (D=300 [mm])
50005173	FP101	Follower plate (D=344 [mm])
50005164	FP102	Follower plate (D=405 [mm])
50005087	FP103	Follower plate (D=430 [mm])
50004998	FP104	Follower plate (D=586 [mm])
50008366	FP201	Follower plate (D=103 [mm])
50008367	FP202	Follower plate (D=200 [mm])
50008368	FP203	Follower plate (D=245 [mm])
50008368	FP204	Follower plate (D=175 [mm])
5000xxxx	WST-...	Barrel hood

TECHNICAL DATA

Process pressure	max 150 [bar]
Supplied volume	max. 1500 [cm ³ /min]
Container sizes	14 to 180 [l]
pneumatic inlet pressure	max.6 [bar]
Follower plate pressure	max. 6 [bar]
Weight (size 1)	xxx [kg]
Weight (size 2)	xxx [kg]
Weight (size 3)	xxx [kg]
Dimensions l x w x h (size 1)	628 x 600 x 1350 [mm]
Dimensions l x w x h (size 2)	750 x 700 x 1855 [mm]
Dimensions l x w x h (size 3)	880 x 750 x 2400 [mm]