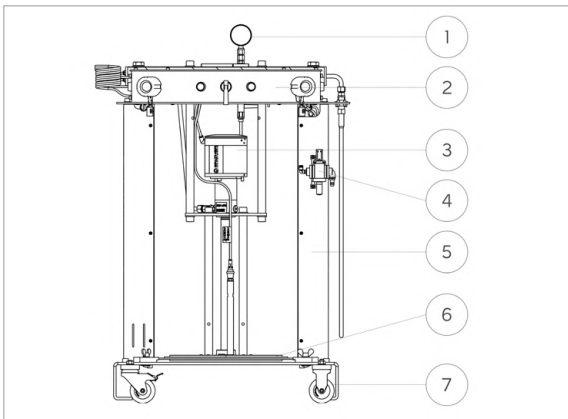




Supplying & Feeding / Pump Systems

WPS BASIC



USAGE

With the WPS Pump Systems, you can supply medium- to highly-viscous media directly from the manufacturer container. With the pump lifter, the replacement of containers is fast and does not need much effort. In the BASIC version, the pump system comes with an entirely pneumatic control unit for a manual operation on-site. This can also be used for replacing the empty containers. The original containers are completely emptied so that there will be no unnecessary loss of grease. The automatic power-off will turn off the pump when a low filling level is reached, in order to avoid any intake of air.

CONSTRUCTION

- 1 Pressure gauge
- 2 Operating unit
- 3 Supply pump
- 4 Lock Valve
- 5 Frame
- 6 Follower plate
- 7 Foot

HIGHLIGHTS

- As a standard, integrated filter system
- Pump system turns off automatically after complete emptying of container
- almost completely empty containers due to adapted follower plates
- Two-hand control for a safe lowering of the pump lifter
- follower plate pressure can be steplessly adjusted
- expandible by various options

YOUR BENEFITS

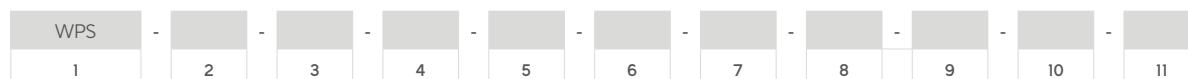
- Cost-efficient pump system for professional use



WPS BASIC

ORDER CODE

(* STANDARD OPTIONS)



1	Designation	5	Filter Unit	7	Mobile
	Walther Pump System	150	150 [µm]	0	no option
		300	300 [µm]	G	mobile version
		500	500 [µm]		
2	Size	6	Follower plate	8	SAVE
1	max. container size Ø 435 x 445 [mm]	00000	without follower plate	0	no option
2	max. container size Ø 460 x 695 [mm]	FP100	follower plate (D=300 [mm])	S	SAVE installed
3	max. container size Ø 642 x 950 [mm]	FP101	follower plate (D=344 [mm])		
3	Type	FP102	follower plate (D=405 [mm])	9	Acoustic empty signal
B	Basic	FP103	follower plate (D=430 [mm])	0	without acoustic
		FP104	follower plate (D=586 [mm])	A	with acoustic
4	Ratio	FP201	follower plate (D=103 [mm])	10	Options
25	25:1	FP202	follower plate (D=200 [mm])	0	no option
		FP203	follower plate (D=245 [mm])	11	Index
		FP204	follower plate (D=175 [mm])	0	Index for option

STANDARD VARIANTS

Item number	Order Code	Item number	Order Code
50008182	WPS-1-B-25-000-00000-0-0-0-0-0	50008198	WPS-1-B-25-300-00000-0-0-0-0-0
50008183	WPS-1-B-25-000-00000-0-0-A-0-0	50008199	WPS-1-B-25-300-00000-0-0-A-0-0
50008184	WPS-1-B-25-000-00000-0-S-0-0-0	50008200	WPS-1-B-25-300-00000-0-S-0-0-0
50008185	WPS-1-B-25-000-00000-0-S-A-0-0	50008201	WPS-1-B-25-300-00000-0-S-A-0-0
50008186	WPS-1-B-25-000-00000-G-0-0-0-0	50008202	WPS-1-B-25-300-00000-G-0-0-0-0
50008187	WPS-1-B-25-000-00000-G-0-A-0-0	50008203	WPS-1-B-25-300-00000-G-0-A-0-0
50008188	WPS-1-B-25-000-00000-G-S-0-0-0	50008204	WPS-1-B-25-300-00000-G-S-0-0-0
50008189	WPS-1-B-25-000-00000-G-S-A-0-0	50008205	WPS-1-B-25-300-00000-G-S-A-0-0
50008190	WPS-1-B-25-150-00000-0-0-0-0-0	50008206	WPS-1-B-25-500-00000-0-0-0-0-0
50008191	WPS-1-B-25-150-00000-0-0-A-0-0	50008207	WPS-1-B-25-500-00000-0-0-A-0-0
50008192	WPS-1-B-25-150-00000-0-S-0-0-0	50008208	WPS-1-B-25-500-00000-0-S-0-0-0
50008193	WPS-1-B-25-150-00000-0-S-A-0-0	50008209	WPS-1-B-25-500-00000-0-S-A-0-0
50008194	WPS-1-B-25-150-00000-G-0-0-0-0	50008210	WPS-1-B-25-500-00000-G-0-0-0-0
50008195	WPS-1-B-25-150-00000-G-0-A-0-0	50008211	WPS-1-B-25-500-00000-G-0-A-0-0
50008196	WPS-1-B-25-150-00000-G-S-0-0-0	50008212	WPS-1-B-25-500-00000-G-S-0-0-0
50008197	WPS-1-B-25-150-00000-G-S-A-0-0	50008213	WPS-1-B-25-500-00000-G-S-A-0-0



Supplying & Feeding / Pump Systems

WPS BASIC

Item number	Order Code	Item number	Order Code
50006738	WPS-3-B-25-000-FP104-0-0-0-0-0	50006746	WPS-3-B-25-000-FP104-G-0-0-0-0
50006740	WPS-3-B-25-000-FP104-0-0-A-0-0	50006748	WPS-3-B-25-000-FP104-G-0-0-A-0-0
50006742	WPS-3-B-25-000-FP104-0-S-0-0-0	50006750	WPS-3-B-25-000-FP104-G-S-0-0-0
50006744	WPS-3-B-25-000-FP104-0-S-A-0-0	50006752	WPS-3-B-25-000-FP104-G-S-A-0-0

SPARE PARTS

Item number	Order Code	Designation
50000911	WZF-150-01	Filter cartridge 150 [µm]
50000912	WZF-300-01	Filter cartridge 300 [µm]
50000913	WZF-500-01	Filter cartridge 500 [µm]
50008300		Suction system
50000798		Air motor
50010813		Sealing set Air motor
50010814		Sealing set Suction system

ACCESSORIES

Item number	Order Code	Designation
50005192	FP100	Follower plate (D=300 [mm])
50005173	FP101	Follower plate (D=344 [mm])
50005164	FP102	Follower plate (D=405 [mm])
50005087	FP103	Follower plate (D=430 [mm])
50004998	FP104	Follower plate (D=586 [mm])
50008366	FP201	Follower plate (D=103 [mm])
50008367	FP202	Follower plate (D=200 [mm])
50008368	FP203	Follower plate (D=245 [mm])
50008368	FP204	Follower plate (D=175 [mm])
5000xxxx	WST-...	Barrel hood

TECHNICAL DATA

Process pressure	max 150 [bar]
Supplied volume	max. 1500 [cm ³ /min]
Container sizes	14 to 180 [l]
pneumatic inlet pressure	max.6 [bar]
Follower plate pressure	max. 6 [bar]
Weight (size 1)	xxx [kg]
Weight (size 2)	xxx [kg]
Weight (size 3)	xxx [kg]
Dimensions l x w x h (size 1)	628 x 600 x 1350 [mm]
Dimensions l x w x h (size 2)	750 x 700 x 1855 [mm]
Dimensions l x w x h (size 3)	880 x 750 x 2400 [mm]