



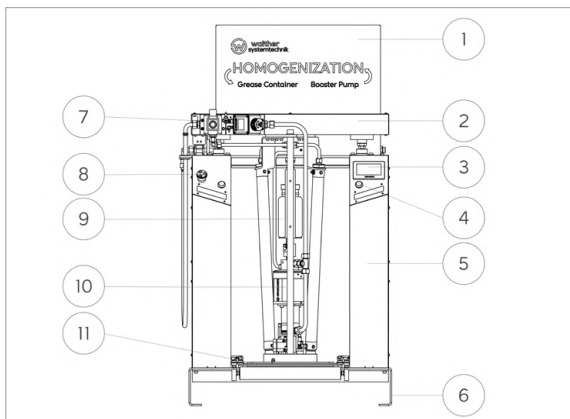
Supplying & Feeding / Pump Systems

WPS PROFESSIONAL WITH HOMOGENIZATION AND MEDIUM STORAGE



USAGE

WPS-Pump Systems in PROFESSIONAL design can be additionally equipped with a homogenization unit. In this case, viscous media which tend to bleed or separate (e.g. grease with a high particle portion) will be thoroughly blended. For this purpose, the surface medium in the container will be sucked off and transported to the container bottom via telescopic rods which punch through the medium. During this process, the medium will be additionally transported through special mixing elements which blend the ingredients again. This so-called homogenization process can be carried out after a replacement of containers or after a defined standing time of the container. To make sure that medium is continuously supplied during the homogenization process, the pump system comes with an additional medium storage with a capacity of 2000 [ccm]. WPS-Pump Systems in PROFESSIONAL design are also available without the homogenization unit, thus only with a medium storage for bridging the replacement of containers.



CONSTRUCTION

- 1 Homogenization unit with integrated medium storage
- 2 Pump lifter
- 3 Touch-Panel
- 4 Two-hand control (push buttons)
- 5 Basic frame
- 6 Frame
- 7 Order of components
- 8 Emergency OFF
- 9 Cup unit
- 10 Supply pump
- 11 Follower plate



WPS PROFESSIONAL WITH HOMOGENIZATION AND MEDIUM STORAGE

HIGHLIGHTS

- Conditioning of separated / bleeding media before discharge into production system
- parameters of first homogenization (after container replacement) and intermediate homogenization (after defined time) can be entered separately
- integrated medium storage guarantees continuing medium discharge during first or intermediate homogenization
- expandible by various options

YOUR BENEFITS

- No rejects from bad medium application induced by medium separation
- possibility for medium conditioning on-site
- continuous medium discharge during the homogenization processes and during replacement of containers will guarantee an uninterrupted production

ORDER CODE

(* STANDARD OPTIONS)

WPS	-		-		-		-		-		-		-		-		-		-	
1		2		3		4		5		6		7		8		9		10		11

1 Designation

Walther Pump System

2 Size

2 max. container size
Ø 460 x 695 [mm]

3 max. container size
Ø 642 x 950 [mm]

3 Type

P Professional

4 Ratio

25 25:1

5 Filter Unit

150 150 [µm]

300 300 [µm]

500 500 [µm]

6 Follower plate

00000 without follower plate

FP100 follower plate (D=300 [mm])

FP101 follower plate (D=344 [mm])

FP102 follower plate (D=405 [mm])

FP103 follower plate (D=430 [mm])

FP104 follower plate (D=586 [mm])

7 Mobile

0 no option

G mobile version

8 SAVE

0 no option

S SAVE installed

9 Acoustic empty signal

0 without acoustic

A with acoustic

10 Options

0 no option

S medium storage

H homogenization with
medium storage

11 Index

0 no option



Supplying & Feeding / Pump Systems

WPS PROFESSIONAL WITH HOMOGENIZATION AND MEDIUM STORAGE

Item number	Order Code	Item number	Order Code
50009124	WPS-3-P-25-500-FP100-G-0-0-S-0	50009151	WPS-3-P-25-500-FP102-G-0-A-S-0
50009127	WPS-3-P-25-500-FP100-G-0-A-S-0	50009154	WPS-3-P-25-500-FP103-0-0-0-S-0
50009130	WPS-3-P-25-500-FP101-0-0-0-S-0	50009157	WPS-3-P-25-500-FP103-0-0-A-S-0
50009133	WPS-3-P-25-500-FP101-0-0-A-S-0	50009160	WPS-3-P-25-500-FP103-G-0-0-S-0
50009136	WPS-3-P-25-500-FP101-G-0-0-S-0	50009163	WPS-3-P-25-500-FP103-G-0-A-S-0
50009139	WPS-3-P-25-500-FP101-G-0-A-S-0	50009166	WPS-3-P-25-500-FP104-0-0-0-S-0
50009142	WPS-3-P-25-500-FP102-0-0-0-S-0	50009169	WPS-3-P-25-500-FP104-0-0-A-S-0
50009145	WPS-3-P-25-500-FP102-0-0-A-S-0	50009172	WPS-3-P-25-500-FP104-G-0-0-S-0
50009148	WPS-3-P-25-500-FP102-G-0-0-S-0	50009175	WPS-3-P-25-500-FP104-G-0-A-S-0

SPARE PARTS

Item number	Order Code	Designation
50000911	WZF-150-01	Filter cartridge 150 [µm]
50000912	WZF-300-01	Filter cartridge 300 [µm]
50000913	WZF-500-01	Filter cartridge 500 [µm]
50008300		Suction system
50000798		Air motor
50010813		Sealing set Air motor
50010814		Sealing set Suction system

ACCESSORIES

Item number	Order Code	Designation
50005192	FP100	Follower plate (D=300 [mm])
50005173	FP101	Follower plate (D=344 [mm])
50005164	FP102	Follower plate (D=405 [mm])
50005087	FP103	Follower plate (D=430 [mm])
50004998	FP104	Follower plate (D=586 [mm])
5000xxxx	WST-...	Barrel hood

TECHNICAL DATA

Process pressure	max 150 [bar]
Supplied volume	max. 1500 [cm ³ /min]
Container sizes	14 to 180 [l]
pneumatic inlet pressure	max.6 [bar]
Follower plate pressure	max. 6 [bar]
Weight (size 2)	xxx [kg]
Weight (size 3)	xxx [kg]
Dimensions l x w x h (size 2)	820 x 750 x 2000 [mm]
Dimensions l x w x h (size 3)	1050 x 700 x 2400 [mm]