



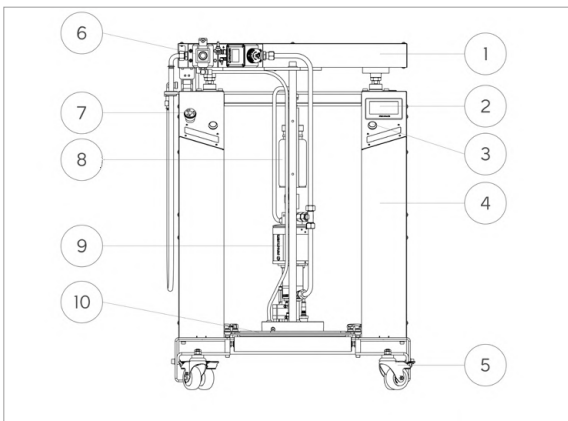
Supplying & Feeding / Pump Systems

WPS PROFESSIONAL



USAGE

With the WPS Pump Systems, you can supply medium- to highly-viscous media directly from the manufacturer container. With the pump lifter, the replacement of containers is fast and does not need much effort. With the PROFESSIONAL version, you will receive a fully automatic pump system with electric control unit which operates almost independently. Thanks to an integrated field-bus system, the pump system can be smoothly integrated into state-of-the-art controlling architectures.



CONSTRUCTION

- 1 Pump lifter
- 2 Touch-Panel
- 3 Two-hand control
- 4 Frame
- 5 Mobile version
- 6 Order of components
- 7 Emergency OFF
- 8 Cup unit
- 9 Supply pump
- 10 Follower plate



WPS PROFESSIONAL

HIGHLIGHTS

- Operation through HMI with clear pictograms
- automated container replacement-wizard guides the worker step by step
- automated venting after container replacement
- continuous monitoring of contamination status of integrated filter system
- BUS system for an operation with superordinate control units
- freely configurable, digital alarm outlets
- continuous monitoring and providing of different process parameter (pressure, filling level, operation time, follower plate pressure)
- expandible by various options

YOUR BENEFITS

- Also less qualified personnel will be able to operate the pump system without error
- increase of OEE by avoiding errors induced by the supply system
- pump system for professional use in automated plants and systems
- automated pressure relief below the follower plate does not result in loss of medium

ORDER CODE

(* STANDARD OPTIONS)

WPS	-		-		-		-		-		-		-		-		-		-		-	
1		2		3		4		5		6		7		8		9		10		11		

1	Designation	Walther Pump System	5	Filter Unit	150 150 [µm] 300 300 [µm] 500 500 [µm]	8	SAVE	0 no option S SAVE installed
2	Size	2 max. container size Ø 460 x 695 [mm] 3 max. container size Ø 642 x 950 [mm]	6	Follower plate	00000 without follower plate FP100 follower plate (D=300 [mm]) FP101 follower plate (D=344 [mm]) FP102 follower plate (D=405 [mm]) FP103 follower plate (D=430 [mm]) FP104 follower plate (D=586 [mm])	9	Acoustic empty signal	0 without acoustic A with acoustic
3	Type	P Professional	7	Mobile	0 no option G mobile version	10	Options	0 no option
4	Ratio	25 25:1				11	Index	0 index for option S storage H homogenization with storage



Supplying & Feeding / Pump Systems

WPS PROFESSIONAL

Item number	Order Code	Item number	Order Code
50009147	WPS-3-P-25-500-FPI02-G-0-0-0-0	50009162	WPS-3-P-25-500-FPI03-G-0-A-0-0
50009150	WPS-3-P-25-500-FPI02-G-0-A-0-0	50009165	WPS-3-P-25-500-FPI04-0-0-0-0-0
50009153	WPS-3-P-25-500-FPI03-0-0-0-0-0	50009168	WPS-3-P-25-500-FPI04-0-0-A-0-0
50009156	WPS-3-P-25-500-FPI03-0-0-A-0-0	50009171	WPS-3-P-25-500-FPI04-G-0-0-0-0
50009159	WPS-3-P-25-500-FPI03-G-0-0-0-0	50009174	WPS-3-P-25-500-FPI04-G-0-A-0-0

SPARE PARTS

Item number	Order Code	Designation
50000911	WZF-150-01	Filter cartridge 150 [µm]
50000912	WZF-300-01	Filter cartridge 300 [µm]
50000913	WZF-500-01	Filter cartridge 500 [µm]
50008300		Suction system
50000798		Air motor
50010813		Sealing set Air motor
50010814		Sealing set Suction system

ACCESSORIES

Item number	Order Code	Designation
50005192	FPI00	Follower plate (D=300 [mm])
50005173	FPI01	Follower plate (D=344 [mm])
50005164	FPI02	Follower plate (D=405 [mm])
50005087	FPI03	Follower plate (D=430 [mm])
50004998	FPI04	Follower plate (D=586 [mm])
5000xxxx	WST-...	Barrel hood

TECHNICAL DATA

Process pressure	max 150 [bar]
Supplied volume	max. 1500 [cm ³ /min]
Container sizes	14 to 180 [l]
pneumatic inlet pressure	max.6 [bar]
Follower plate pressure	max. 6 [bar]
Weight (size 2)	xxx [kg]
Weight (size 3)	xxx [kg]
Dimensions l x w x h (size 2)	820 x 750 x 2400 [mm]
Dimensions l x w x h (size 3)	1050 x 700 x 2400 [mm]