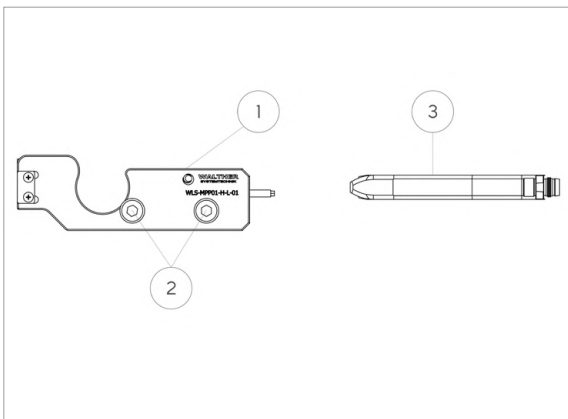
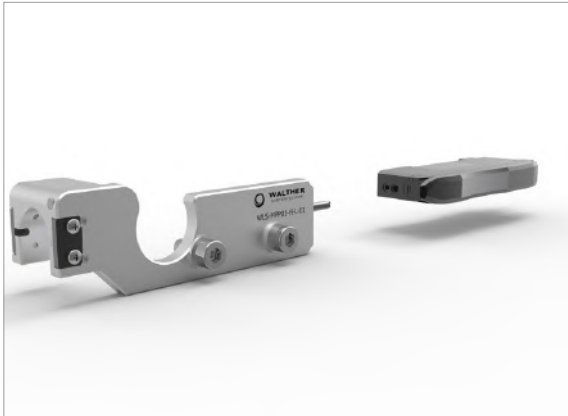




Processing & Application / Accessories / Light Barrier

LIGHT BARRIER



HIGHLIGHTS

- Suitable for pulse frequencies up to 300 [Hz]
- detection of smallest medium quantities when leaving the valve nozzle
- easy and intuitive installation and start of operation
- contamination compensation

USAGE

The Walther Light Barriers (WLS) significantly increase process safety for pulsing applications of viscous media. The Light Barriers Type WLS are available for all Pulse Valves Type MPP and will be directly attached to the nozzle outlet. When a medium dot leaves the nozzle outlet, the light beam of the Walther Light Barrier will be interrupted. The connected evaluation unit detects the resulting drop in light intensity, evaluates and provides the information on a successful discharge of a medium dot in the form of an electrical signal.

CONSTRUCTION

- 1 Light barrier
- 2 Centering hollow
- 3 Fiberoptic sensor repeater

YOUR BENEFITS

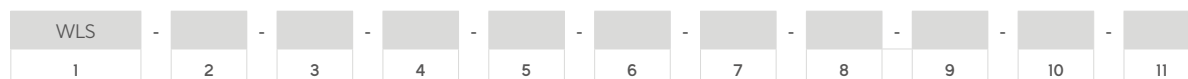
- Safeguarding the process capability and increase of OEE



LIGHT BARRIER

ORDER CODE

(* STANDARD OPTIONS)



1	Designation Light Barrier	3	Orientation optical axis H horizontal*	5	Index 01 Index 01
2	Type 01 for Valve MPP-01* 03 or Valve MPP-03*	4	Mounting side L left valve side* R right valve side* LR left and right valve side*		

STANDARD VARIANTS

Item number	Order Code	Item number	Order Code
50010246	WLS-MPP01-H-L-01	50010261	WLS-MPP01-V-R-01
50010253	WLS-MPP01-H-R-01	50010263	WLS-MPP03-H-LR-01
50010258	WLS-MPP01-V-L-01	50010266	WLS-MPP03-V-LR-01

ACCESSORIES

Item number	Order Code	Designation
50010243		Evaluation unit (sensor repeater)
50007618		Centering sleeve (2 Stück)
50000847	WZK-04U01-M08FA-OEOE-020	Connecting line M8 / angled / 2 [m]
50000846	WZK-04U01-M08FA-OEOE-050	Connecting line M8 / angled / 5 [m]
50000845	WZK-04U01-M08FA-OEOE-100	Connecting line M8 / angled / 10 [m]
50000843	WZK-04U01-M08FS-OEOE-020	Connecting line M8 / straight / 2 [m]
50000842	WZK-04U01-M08FS-OEOE-050	Connecting line M8 / straight / 5 [m]
50000841	WZK-04U01-M08FS-OEOE-100	Connecting line M8 / straight / 10 [m]



Processing & Application / Accessories / Light Barrier

LIGHT BARRIER

TECHNICAL DATA

Dimensions l x w x h (WLS-MPP03-V-LR-01)	91,5 x 35 x 20 [mm]
Dimensions l x w x h (WLS-MPP03-H-LR-01)	91,5 x 35 x 25 [mm]
Dimensions l x w x h (WLS-MPP01-H-L-01)	94 x 30,5 x 25 [mm]
Dimensions l x w x h (WLS-MPP01-V-L-01)	94 x 28,5 x 20 [mm]
Dimensions l x w x h (WLS-MPP01-H-R-01)	94 x 30,5 x 25 [mm]
Dimensions l x w x h (WLS-MPP01-V-R-01)	94 x 28,5 x 20 [mm]
Weight (WLS-MPP03-V-LR-01)	0,036 [kg]
Weight (WLS-MPP03-H-LR-01)	0,038 [kg]
Weight (WLS-MPP01-H-L-01)	0,036 [kg]
Weight (WLS-MPP01-V-L-01)	0,034 [kg]
Weight (WLS-MPP01-H-R-01)	0,036 [kg]
Weight (WLS-MPP01-V-R-01)	0,034 [kg]